

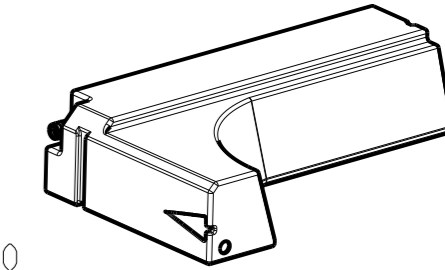
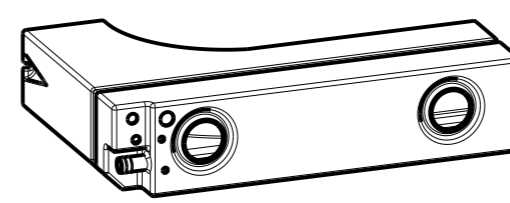
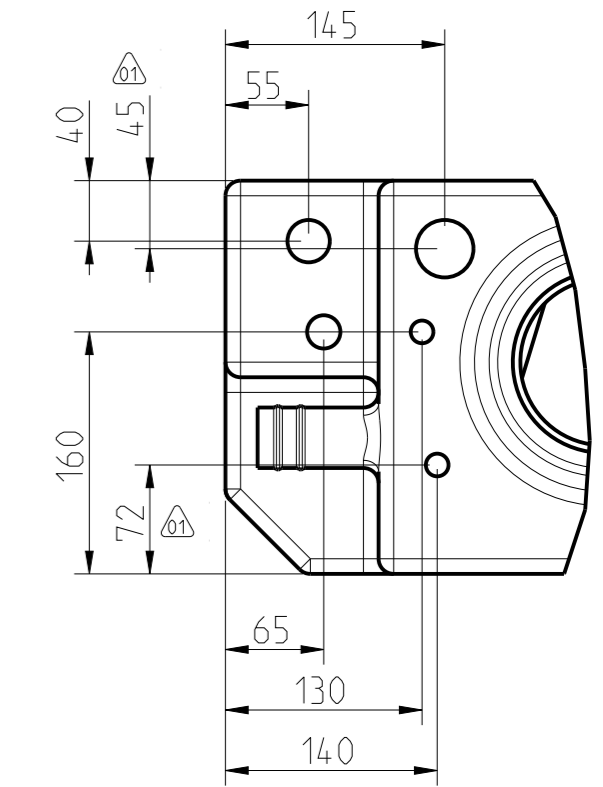
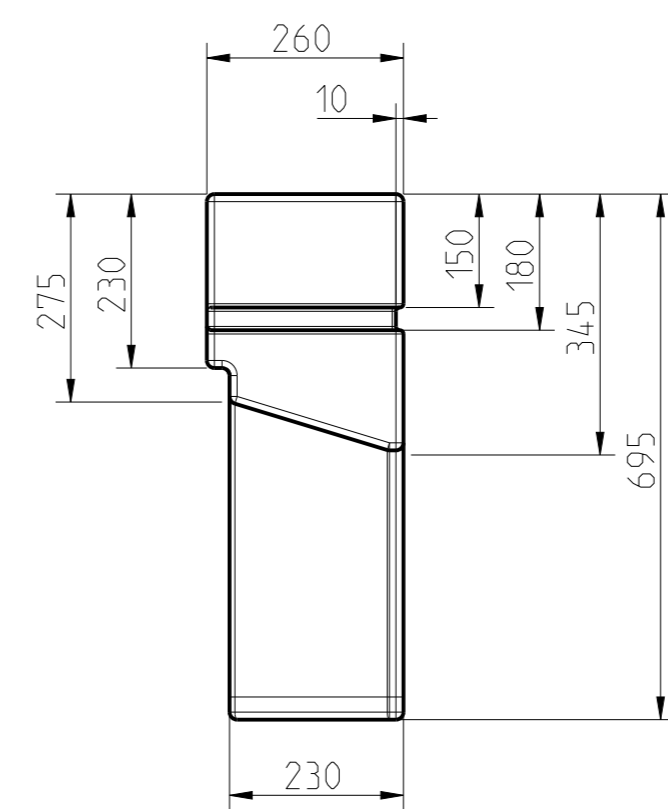
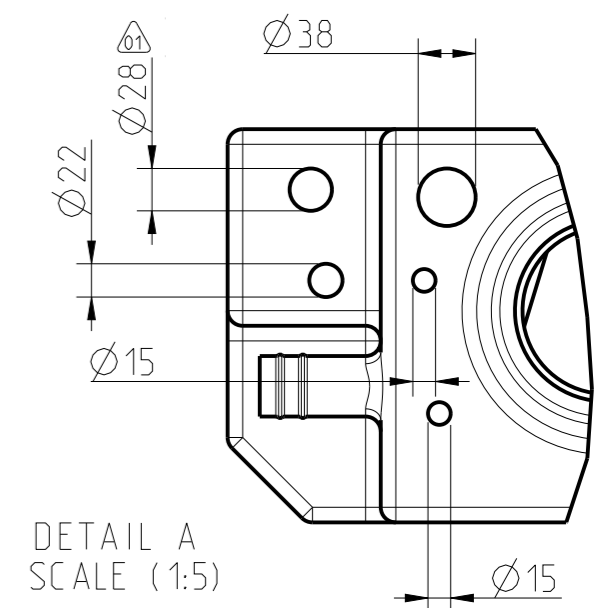
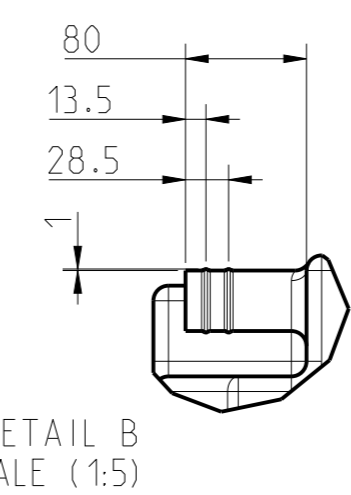
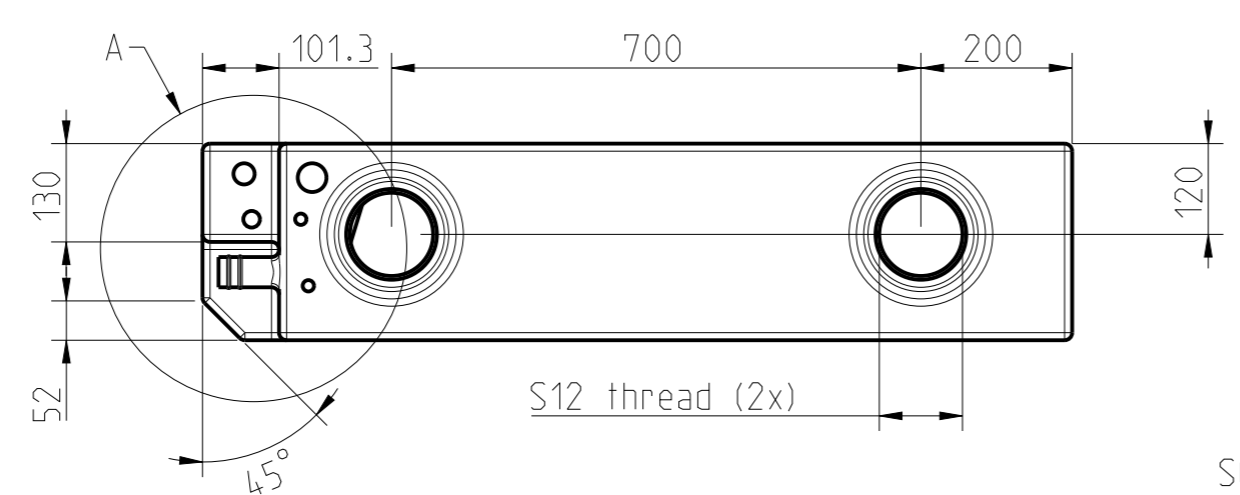
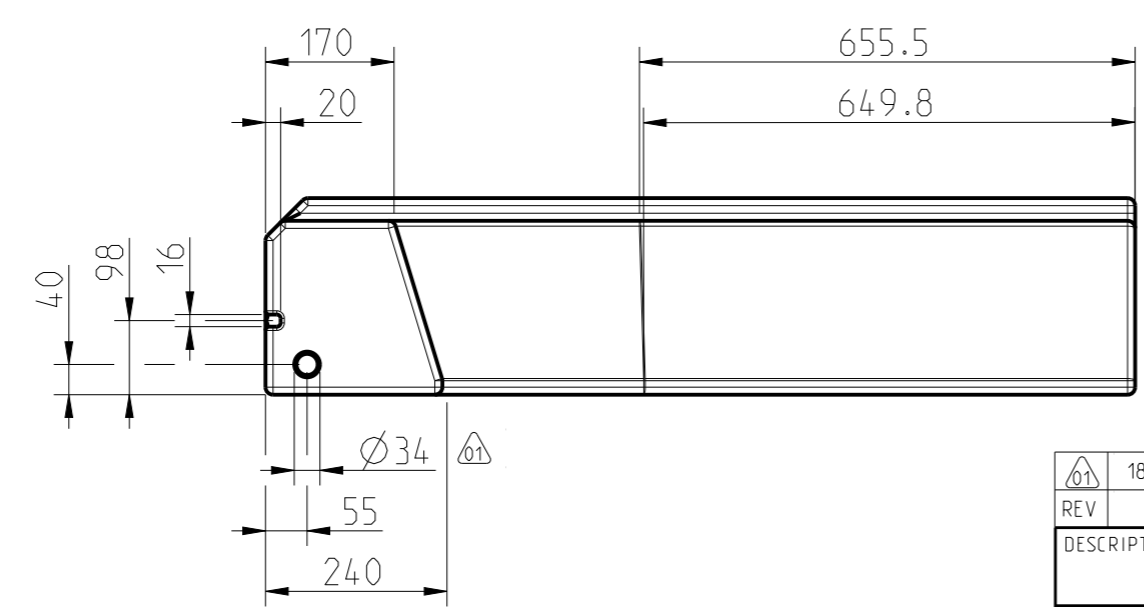
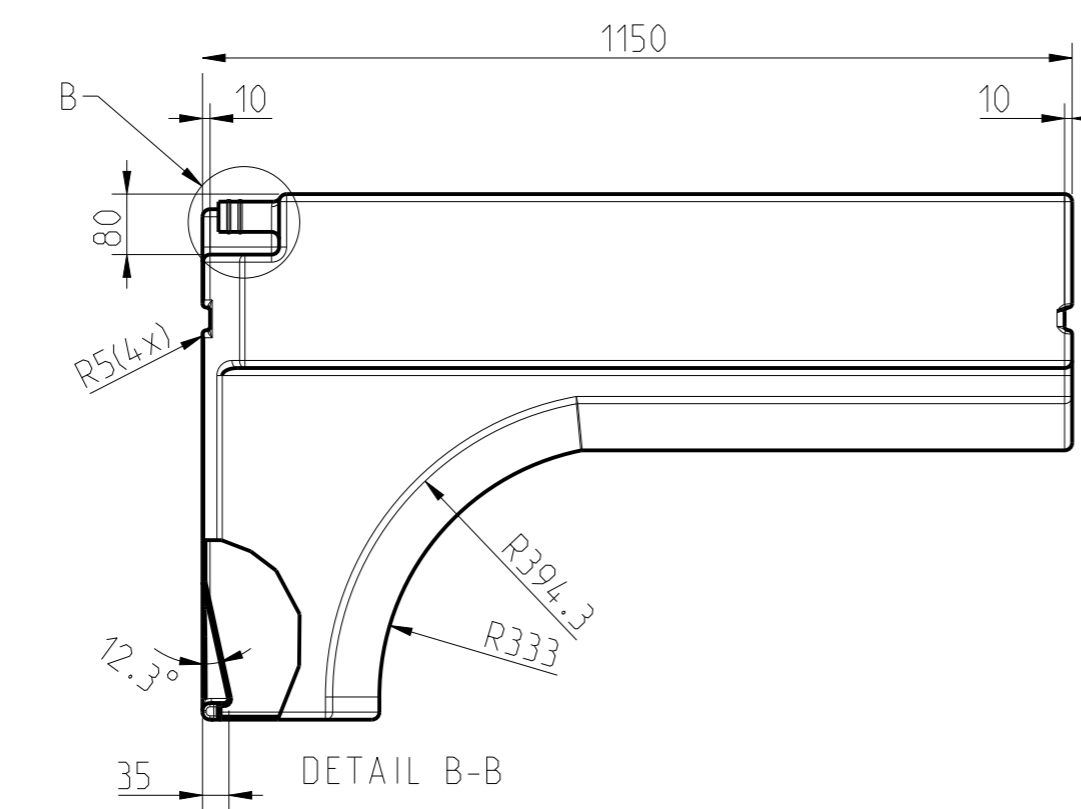
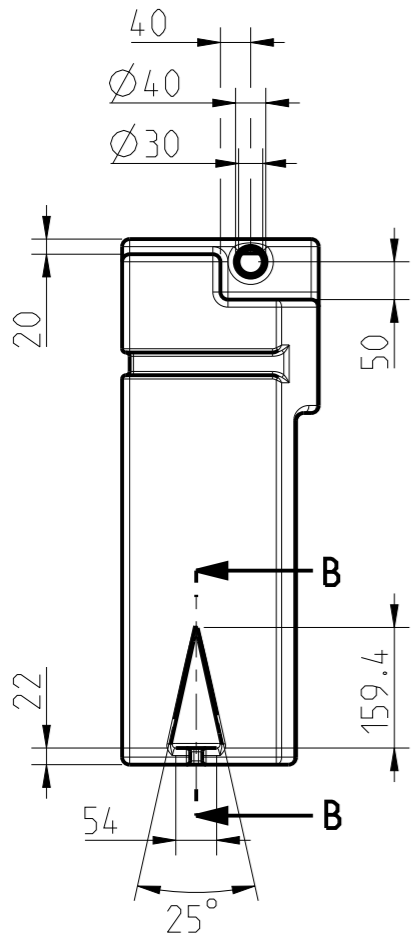
TOLERANCES FOR ROTO-MOULDED PARTS ACCORDING DIN 16 901 - 160A

TOLERANCES FOR WALLTHICKNESS

0 - 5	± 1
> 5	± 20%

TOLERANCES FOR OTHER THAN ROTO-MOULDED PARTS ±0.3

In the following cases the wall thickness tolerances may be exceeded:  
 - in positive or negative corners.  
 - in cases the wall-to-wall distance in the mould is less the 5 times the nominal wall thickness.  
 - in recessed areas, ribs, through holes, inserts.



SCALE 1:20

General remarks:  
 - Material:  
 - Free of burrs and sharp edges  
 - Overall radius = R10

REV	18-11-2011	BVL	Changed size and position of several holes
DESCRIPTION:	<b>Schoonwatertank</b>		
PROJECTNR:	CM11032	CUSTOMER:	Dethleffs GmbH
		SCALE:	1:10
PROMENS		VOLUME:	± Ltr
PROMENS DEVENTER BV • ZWEEDESTRAAAT 61010 • 7418 BB DEVENTER • P.O.BOX 41 • 7400 AA DEVENTER • THE NETHERLANDS TEL: +31 (0)570 660706 • FAX: +31 (0)570 660705 • deventer@promens.com • www.promens.com		DATE:	28-04-11
		DRAWN:	BVL
		CHECKED:	PA
		FORMAT:	A3
		SHEET:	1 OF 1
		D-520-001	<b>A3-0-3720.01</b>

X = parting-line

UNITS: mm